



COPY RIGHT

2017 IJIEMR. Personal use of this material is permitted. Permission from IJIEMR must be obtained for all other uses, in any current or future media, including reprinting/republishing this material for advertising or promotional purposes, creating new collective works, for resale or redistribution to servers or lists, or reuse of any copyrighted component of this work in other works. No Reprint should be done to this paper, all copy right is authenticated to Paper Authors

IJIEMR Transactions, online available on 26th January 2017. Link :

<http://www.ijiemr.org/downloads.php?vol=Volume-6&issue=ISSUE-01>

Title: Study and Design of smart grid integrated circuit with PV and wind energy.

Volume 06, Issue 01, Page No: 14 – 22.

Paper Authors

***VINAY KUMAR KOTTE, DR. DALVINDER KAUR MANGAL.**

* Dept of EE, Sunrise University.



USE THIS BARCODE TO ACCESS YOUR ONLINE PAPER

To Secure Your Paper As Per **UGC Guidelines** We Are Providing A Electronic Bar Code

STUDY AND DESIGN OF SMART GRID INTEGRATED CIRCUIT WITH PV AND WIND ENERGY.

***VINAY KUMAR KOTTE, **DR. DALVINDER KAUR MANGAL**

*Research Scholar, Dept of EE, Sunrise University, Alwar, Rajasthan .

**Supervisor, Dept of EE, Sunrise University, Alwar, Rajasthan

ABSTRACT.

The intricacy of the power matrix, in conjunction with the consistently expanding interest for power, makes the requirement for proficient examination and control of the power framework. The development of the inheritance framework towards the new brilliant matrix increases this need because of the huge number of sensors and actuators that must be observed and controlled, the new kinds of conveyed vitality sources that should be coordinated and the new sorts of burdens that must be bolstered. In the meantime, joining of human-action mindfulness into the savvy framework is developing and this will enable the framework to screen, share and oversee data and activities on the business, and in addition this present reality. In this setting, demonstrating and reproduction is a significant instrument for framework conduct examination, vitality utilization estimation and future state forecast. A Smart Grid planned to approach for examination of Active Power. Investigation of dynamic power gives the correct plan to know the scope of greatest reasonable burdens that can be associated with their pertinent transport bars. This paper shows the adjustment in the estimation of Active Power with shifting burden point in setting with little flag investigation. The Smart Grid, viewed as the cutting edge control matrix, utilizes two-route stream of power what's more, data to make a generally appropriated mechanized vitality conveyance organize.

Keywords: Smart grids(SG); Smart meter(SM); Photovoltaic systems(PVS); Wind power generation(WPG), Active power.

INTRODUCTION.

The designed network is the mix of the twentieth century typical electrical power lattice with the transmission and data advancements. Such coordination empowers effective asset usage to improve vitality utilization, introduce and oversee circulated vitality sources. Power travel will be in two-ways .organizations in world may began to introduce sustainable power sources, for example, sun oriented and wind vitality adjacent the utilization locales. Additionally, private mortgage holders began to introduce brilliant home apparatuses and sustainable power source assets in their premises to

produce and expend electrical power proficiently. As the brilliant matrix ideas rose as a quickly developing innovative work subject over the most recent couple of years, Smart framework clients convey in two-path headings by using a few wireless network and wired network correspondence conventions, for example, Zigbee, WiMax, Fibers ,Homeplug, , GPRS, control line bearer LET, Lease line, WiFi and. A few programming bundles were refreshed and numerous are being produced to oblige the new framework task, support and administration, for example, dissemination administration framework

(DMS), geographic data frameworks (GIS), blackout administration frameworks (OMS), client data frameworks (CIS), and supervisory control and information procurement framework (SCADA). Because of the shrewd network advancement, some current empowering advances have developed to diminish the quantity of correspondence conventions and handle enormous measures of information.

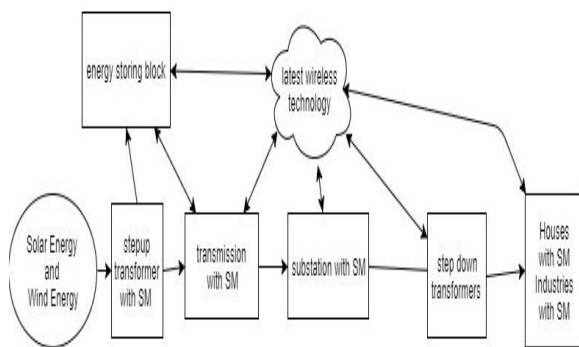


Figure 1. Smart grid communication model

1. DESCRIPTION AND MODELING.

A. Design and Modeling.

A few examinations have been accounted for with respect to Wind Turbine and wind generators. In this, the proposed Wind Turbine depends on the breeze speed versus Wind Turbine yield control qualities. The energy of the breeze turbine is given by:

$$P_m = C_p(\lambda, \beta) \frac{\rho A}{2} V_{wind}^3 \quad (1)$$

where: P_m is the turbine mechanical output power, C_p is turbine the performance coefficient, λ is the rotor blade the tip speed ratio of, β means the blade pitch angle, ρ is the air density, A is the swept area of turbine, V_{wind} wind speed.

The performance of coefficient model $C_p(\lambda, \beta)$:

$$C_p(\lambda, \beta) = C_1 \left(\frac{C_2}{\lambda} - C_3 \beta - C_4 \right) e^{\left(\frac{-C_5}{\lambda} \right)} + C_6 \lambda \quad (2)$$

where constants C_1, C_2, C_3 to C_6 are the parameters that depend the wind turbine rotor and the blade design. λ_i is a parameter given in (3).

$$\frac{1}{\lambda_i} = \frac{1}{\lambda + 0.08\beta} - \frac{0.035}{\beta^3 + 1} \quad (3)$$

$$P_{m-pu} = K_p C_{p-pu} V_{wind-pu}^3 \quad (4)$$

where: C_{p-pu} equals performance coefficient P_{m-pu} equals power per unit of values of A and ρ , C_p equals power gain, $V_{wind-pu}$ equal to base wind speed.

The units of mean value of the based wind speed is expected wind speed in m/s.

B. Modeling and Design of a Photovoltaic Module

The general scientific model for the sun powered cell has been contemplated in the course of the last three decades [10]. The circuit of the sunlight based cell display, which comprises of a photocurrent, diode, parallel resistor (spillage current) and an arrangement resistor; is appeared in Figure. 2.

$$I_{pv} = I_{gc} - I_0 \left[\exp \left(\frac{eV_d}{kT_c} \right) - 1 \right] - \frac{V_d}{R_p} \quad (5)$$

where: I_{pv} equal to the pv current, I_{gc} equal to the generated current in light, e equal to the electric charge, K equal to Boltzmann's constant, T_c equal to the cell absolute temperature, V_d is the diode voltage, R_p is the parallel resistance.

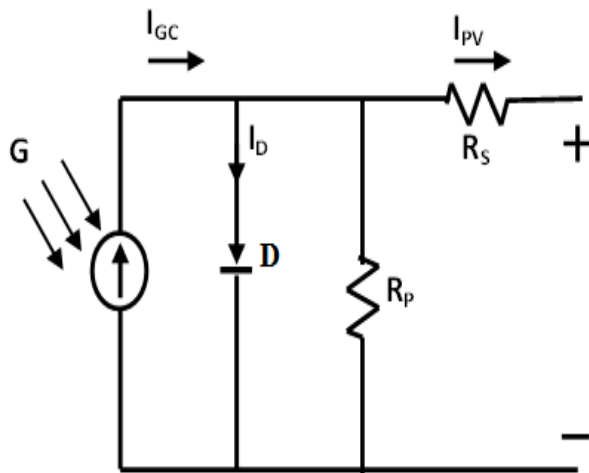


Figure 2. Single diode PV cell equivalent circuit

The photocurrent I_{GC} predominantly relies upon the sunlight based illumination and cell temperature, which is depicted as [11]:

$$I_{GC} = [\mu_{sc}(T_c - T_r) + I_{sc}]G \quad (6)$$

where: μ_{sc} equal to short out current of the cell's, T_r equal to cell temperature, I_{sc} equal to the cell short out current at a 25°C and 1 KW/m^2 , G is the light in sun based in KW/m^2 , R_s is the protection arrangement, D equal to the diode, I_D is the diode current streaming. Besides, the cell's immersion current (I_o) changes as the cell temperature changes, which is depicted as

$$I_o = I_{oa} \left(\frac{T_c}{T_r} \right)^3 \exp \left[\frac{qV_g}{kT_r} \left(\frac{1}{T_r} - \frac{1}{T_c} \right) \right] \quad (7)$$

$$I_{oa} = \frac{I_{sc}}{\exp \left(\frac{qV_g}{kT_r} \right)} \quad (8)$$

where: I_{oa} a solar radiation at cell's reverse saturation current and the referenced temperature, V_{oc} equal to open circuit voltage in the cell V_g equal to the bandgap energy of the semiconductor placed in the cell.

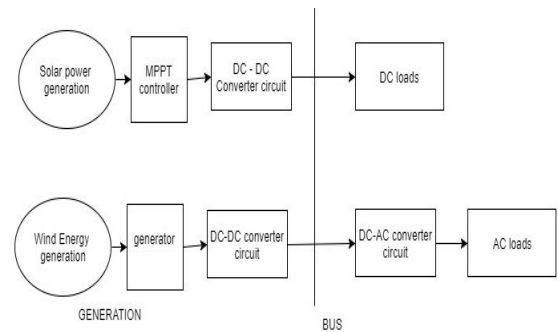


Figure 3 The proposed system Block diagram.

Smart grid system description.

There are four Major parts of savvy framework, which will cooperate to defeat all those issues which are downsides of past frameworks, these are: Shrewd House System, Shrewd Meter, Town Server, Primary Server

Smart house .

Savvy house is a client house which comprises of keen machines. Gadgets are keen because of establishment of shrewd remote card. The chart of keen remote card it comprise of Advanced meter, Microcontroller, Sensor Straightforward remote card Utilizing the shrewd apparatuses, correspondence amongst gadget and savvy metering will be finished utilizing little attachment (SM). To detect control utilization sensor is utilized. It additionally chooses current status while advanced meter is the gadget which indicates devoured power and its cost. Microcontroller is gadget which controls the stream of energy. What's more, apparatuses required power is likewise known to microcontroller and send this data to SM through basic remote card. It is standard associating gadget that interfaces SM to savvy remote card through remote correspondence.

Smart meter(SM).

The SM basic purpose are.

Power management and measuring, Unit measurement and price Communication

i) Power management and measuring.

SM is a wise gadget which has data about the aggregate power required by keen machines and disperses control taken from shrewd lattice/control station appropriately [14]. In the event that the gave control from the two sources isn't adequate it will endeavor to satisfy prerequisite by removing power from RS. Furthermore, if RS can't fulfill control prerequisite, SM will send a flag to TS to give distinction of required power and accessible power. In this way, in the event that it is the situation, required power is not exactly given power by town server it communicate a message to TS that TS gave control.

In this piece of activity, SM measures control utilization unit of 3 levels. Power units gave by specialist organization ,Power units extricated from RS .

Those which are used by specialist organization by utilizing previously mentioned readings, SM figure cost up to that time and it will be unmistakable to client.

ii) Communication.

To send and accepting the message flag, TS is space to convey for SM. This is finished by nearby open exchanged phone arrange (PSTN). The use of PSTN innovation evacuates the powerful radiations which are available in SM correspondence utilizing this correspondence way, SM just send those number of units and cost to TS which is to last paid by the client to specialist co-op. While for control transmission, SM is

associated with TS by means of electrical cable too. All TSs are additionally associated with principle server utilizing PSTN.

C) Town sever (TS).

A Town server (TS) is essential unit of keen framework for administration. Actually, it is the focal PC and a total server which can take choice for all its client. The TS is associated with MS for correspondence just by utilizing PSTN. As town server send ascertained control units up to that opportunity to MS after every hour with the goal that every one of the information remain spare at MS. while TS keeps information of current month as it were. It is for productive functioning as long as present month passes, TS expels its information since MS have every one of the information of earlier month and of present month up to that time. The sending of information after every hour is intended to evacuate the probability of over loading of transfer speed and furthermore to diminish the transmission capacity to significantly low level than past savvy framework. The TS is worked by multitasking continuous working framework and continuous programming which are intended for the reason that at whatever point MS goes to interface down express, The method of TS consequently change to regulatory mode. In this mode TS carries on like a MS for itself and keeps to information unless MS isn't connected up. While TSs are associated with each other through PSTNs and by means of electrical cables see all the administration between TSs are conceivable through these the two connections so these connections are of critical. As talked about introduce the downsides of past framework and most recent needs, the one most grounded reason which offers to utilize PSTN is

hypothetically boundless transmission capacity accessibility. Shannon hypothesis gives transfer speed condition as given beneath :

$$BPS = BW \log_2 \left(1 + \frac{s}{n} \right) \quad (9)$$

where: BPS=bits every second, BW=channel data transfer capacity, s/n: Signal to clamor proportion.

This is a genuine power proportion and not a db proportion. Also, bit every second is given by condition:

$$BPS = R_s \log_2 N_s \quad (10)$$

where: R_s is the image rate (likewise transmission capacity for QAM), N_s =number of images in the group of stars Presently starting from first point, SM makes an impression on TS that its SH needs as much measure of energy. In such away such messages will be gotten by TS from the majority of its SMs. At whatever point the required energy of SH diminishing or increment, it will be educated to TS. Presently on the off chance that it is the situation, ASM need to decrease its energy and other SM need to build its energy, both communicate a message flag to TS then TS decreases the recommended energy of initial one and doled out required said energy to other one.

On the off chance that it is adequate for the necessity of second one then its generally TS will check another SH whose power can be allocated. on the off chance that still insufficiency remain TS will check its SHs those can give control from their regenerative sources to remunerate control inadequacy. On the off chance that no SH can give or SH's energy is less then it communicate a message

to its closest TS to give control . On the off chance that closest TS does not have energy to give from its own circle/ network then it will get from next TS for the first. In the event that any issue happen at MS or any/ scarcely any TSs, the various TSs will stay filling in as working before observe Figure 4. This is an impressive expansive preferred standpoint over every single other framework. TS could possibly be associated specifically to keen network or regular power station or both. It shifts from one region to territory based on modest and solid generation of energy here. The association amongst TS and keen matrix is same like primary focal PC of shrewd framework is associated in the keen matrix framework [20].

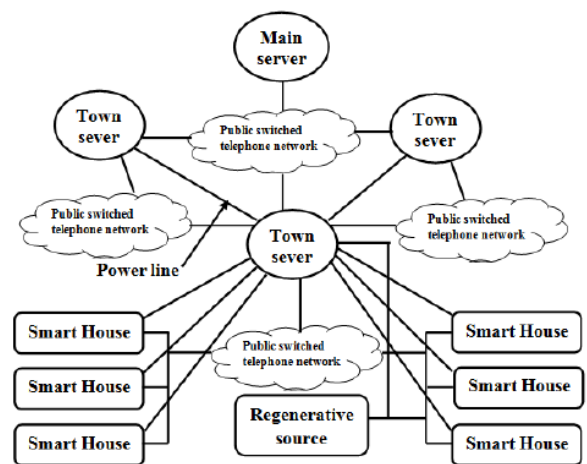


Figure 4. Topology of smart system ; upper part shows the way of connection between TS and also with MS.

D) Main server .

The primary server (MS) is the focal gadget around which all the framework works. It keeps estimations, charges, records, client records, topology of division of all the energy of savvy network/control stations for its town servers and so forth every TS is associated with MS through PSTN as it were. MS is

specifically worked by head office of specialist organization. What's more, MS can begin or stop all the usefulness and working of a specific SH/TS by utilizing some kind of orders or passwords. in the event that diverse circulation organizations are working under single umbrella of savvy framework, because of any reason, specialist co-op organization can stop the working of any TS under extreme conditions. MS now produces a far reaching rundown toward the finish of the month for every SM and for every TS. MS educates the client about their bills and power utilization by utilizing one of their chose media (sms, post, email and so on.). It additionally communicate rundown of the month to the important TS. And furthermore keeps record of these synopses.

RESULTS AND DISCOURSE.

To comprehend the working of the astute system, we will think about the accompanying circumstance. Our whole framework comprises of two houses, two light enterprises and whatever remains of the electrical system.

The main house, appeared by Figure 5, is controlled by two energies, twist vitality of 4KW and the other of the general power organize GEN. Its heap bend is portrayed by the accompanying project: from 0:00 to 7:00 toward the beginning of the day, the house devours a steady electric energy of 1KW provided by the breeze turbine. At 7:00 am, there is a pinnacle of load coming to a estimation of 3KW, likewise provided by the breeze turbine. Therefore, the house stays confined from the GEN until the point when 7.00 pm where a moment pinnacle of 5KW of energy is watched and should last until 23.00.

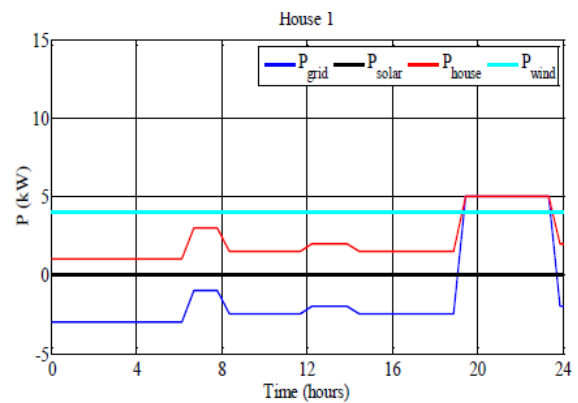


Figure 5.first house results

For the second house, appeared by Figure 6, its heap bend is given by the accompanying program: from 00h to 06:00, it expends an energy of 1KW provided by the GEN. A pinnacle of control utilization of 3KW is watched and which should last 1h30mn. This power is dependably provided by the GEN then the utilization will be lessened to 1.5KW after the appearance of the day when the sun oriented vitality mediates.

Not at all like ventures ,houses have critical posts of utilization and creation. The principal business, appeared by Figure 7, contains a 5MW breeze turbine and is associated with the GEN, so it is controlled by both vitality sources. Its heap bend is depicted by the accompanying conveyance: from 00h00 to 7h00 it expends a steady energy of 2MW gave by the breeze turbine. At 7:30 am the landing of the laborers and the start-up of the machines of the business, a first pinnacle of energy utilization is watched and achieves an estimation of 7MW. The last can just be met by GEN help until the point that 10.00 am; at that point the heap is lessened to 5MW. The plant ends up plainly self-governing and will be fueled by its breeze turbine until 13:00. Right now, a

second pinnacle is set apart with the estimation of 6MW and which keeps going until 14h00; the distinction is guaranteed by the GEN. At that point the lessening in load to 4MW liberates the GEN to give the hand-off to its twist turbine to assume responsibility of the utilization for whatever is left of the day. Realizing that after the industry shuts down at 17:00 the utilization is lessened to 2MW.

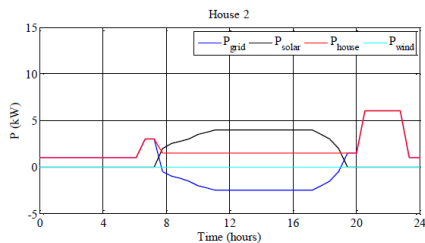


Figure 6. Second house results

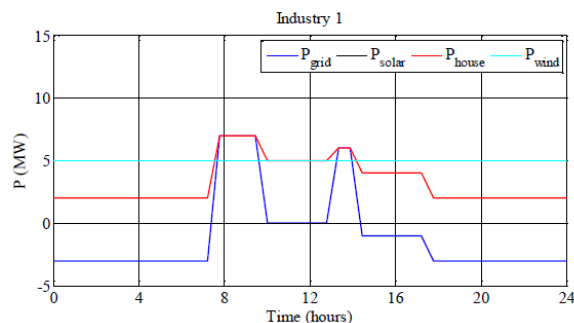


Figure 7. First industry results.

The second business, appeared by Figure 8, contains a sun powered stop with a limit of 5MW and is associated with GEN, so it is fueled by both vitality sources. Its heap bend is depicted by the accompanying dissemination: from 00h00 to 6h00 it devours a consistent energy of 2MW gave by the GEN. With the landing of the specialists and the start-up of the machines of the business, a pinnacle of 7MW power is watched and just the GEN deals with it. At 8:00 am the place the sun based vitality shows up and starts to give vitality, both vitality are operational yet

sun powered vitality can't fulfill this request alone, and the pinnacle will last until 10:00. Following a diminishment in energy of 5MW, the GEN is discharged and just the sun oriented stop bolsters the plant. A moment pinnacle of 6MW is seen at 15h00 and proceeds until 16h00, which again includes the GEN. At 5 pm, with the conclusion of the business, utilization is decreased to 2MW. The last is given by the sun powered stop until 19:00 with the dusk, the GEN is utilized again until the finish of the day.

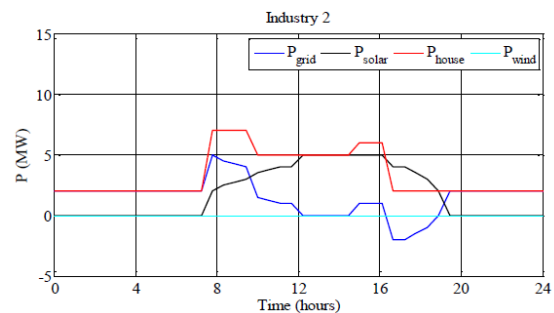


Figure 8. Second industry results

CONCLUSION .

The proposed display includes the two sorts of sun powered and twist vitality under ordinary working conditions and clarifies the vitality trade amongst customers and GEN. The cost of power isn't contemplated, yet the distinctive shoppers can pick the least expensive vitality.

Abbreviations

| | | | |
|-------------|----|-----------------------------------|------|
| Smart Grid | SG | Regenerative source | RS |
| Smart Meter | SM | Main server | MS |
| Smart House | SH | Public switched telephone network | PSNT |
| Town sever | TS | General electricity network | GEN |

1. Anvari-Moghaddam A., Monsef H., Rahimi-Kian A., *Optimal Smart Home*

Energy Management Considering Energy Saving and a Comfortable Lifestyle, IEEE Transactions on Smart Grid, 2015, 6, p. 324-332.

2. Han J., Choi C., Park W., Lee I., Kim S., *Smart Home Energy Management System Including Renewable Energy Based on ZigBee*, IEEE International Conference on Consumer Electronics (ICCE), Las Vegas, 10-13 January 2014, pp. 544-545.

3. Jaradat M., Jarrah M., Jararweh Y., Al-Ayyoub M., Bousselham A., *Integration of Renewable Energy in Demand-Side Management for Home appliances*, International Renewable and Sustainable Energy Conference (IRSEC), Ouarzazate, October 2014, pp. 571-576.

4. Missaoui R., Joumaa H., Ploix S., Bacha S., *Managing Energy Smart Homes According to Energy Prices: Analysis of a Building Energy Management System*, Original Research Article Energy and Buildings, 2014, 71, p. 155-167.

5. Garner G., *Designing Last Mile Communications Infrastructures for Intelligent Utility Networks (Smart Grids)*, IBM Australia Limited, 2010.

6. Al-Omar B., Al-Ali A.R., Ahmed R., Landolsi T., *Role of Information and Communication Technologies in the Smart Grid*, Journal of Emerging Trends in Computing and Information Sciences, 2012, 3, p. 707-716.

7. Al-Ali A. R., Raafat Aburukba., *Role of Internet of Things in the Smart Grid Technology*, Journal of Computer and Communications, 2015, 3, p. 229-233.

8. Mellitus Okwudili Ezeme., *A Multi-domain Co-Simulator for Smart Grid: Modeling Interactions in Power, Control and Communications*, Master of Applied Science

Department of Electrical and Computer Engineering, University of Toronto, 2015.

9. De Battista H., Mantz R. J., Garelli F., *Power conditioning for a wind-hydrogen energy system*, Journal of Power Sources, 2006, 155, p. 478-486.

10. Muljadi E., Butterfield C.P., *Pitch-controlled variable-speed wind turbine generation*, IEEE Trans. Industry Appl., 2001, 37, p. 240-246.

11. Phang J. C. H., Chan D. S. H., Philips J.R., *Accurate analytical method for the extraction of solar cell model parameter*, IEEE Electronics Letters, 1984, 20, p. 406-408.

12. Villalva M.G., Gazoli J.R., E.R. Filho., *Comprehensive approach to modeling and simulation of photovoltaic arrays*, IEEE Transactions on Power Electronics, 2009, 24, p. 1198-1208.

13. Seyedi H., Sanaye-Pasand M., *New centralised adaptive load shedding algorithms to mitigate power system blackouts*, Generation, Transmission & Distribution, IET, 2009, 3(1), p. 99-114.

14. Gungor V. C., Bin Lu, Hancke G. P., *Opportunities and Challenges of Wireless Sensor Networks in Smart Grid*, IEEE Transactions on Industrial Electronics, 2010, 10, p. 3557-3564.

15. Shahid Bilal, Zubair Ahmed, Faroqi Adnan, Navid-ur-Rehman Rao M., *Implementation of Smart System Based on Smart Grid Smart Meter and Smart Appliances*, International Conference on Smart Grid Systems (ICSGS 2012) IPCSIT vol.45 © (2012) IACSIT Press, Singapore, 2012.

16. Moslehi K., Kumar R., *A Reliability Perspective of the Smart Grid*. Smart Grid,



IEEE Transactions on Smart Grid, 2010, 1(1), p. 57-64.

17. Rashid Rozeha A., Sarijari Mohd Adib, Mohd Rozaini Abd Rahim, Tan Zun Yung., *Flood Transmission based Protocol for Home Automation System via Power Line Communication*, Proceedings of the International Conference on Computer and Communication Engineering, 2008.

18. *Getting smart about smart meters answer book for residential customers*, by POWER STREAM (Vender Company).

19. Michael Henderson., *56Kbps Data Transmission Across the PSTN*, Document, 1998.

20. M. Navid-Ur-Rehman Rao, Zubair Ahmed, Faroqi Adnan, *Model of Smart System Based On Smart Grid, Smart Meter and Wireless Based Smart Appliances*, IOSR Journal of Electrical and Electronics Engineering, 2012, 1(5), p. 6-10.

21. Natsheh E. M., Albarbar A., Yazdani, Modeling J., *Control for Smart Grid Integration of Solar/Wind Energy Conversion System*, this work was supported in part by Manchester Metropolitan University, School of Engineering and An-Najah National University Department of Computer Engineering.