



International Journal for Innovative Engineering and Management Research

A Peer Reviewed Open Access International Journal

www.ijiemr.org

COPY RIGHT

2018 IJIEMR. Personal use of this material is permitted. Permission from IJIEMR must be obtained for all other uses, in any current or future media, including reprinting/republishing this material for advertising or promotional purposes, creating new collective works, for resale or redistribution to servers or lists, or reuse of any copyrighted component of this work in other works. No Reprint should be done to this paper, all copy right is authenticated to Paper Authors

IJIEMR Transactions, online available on 11th Febraury 2018. Link :

<http://www.ijiemr.org/downloads.php?vol=Volume-7&issue=ISSUE-02>

Title: A novel method of Power Quality Improvement and Reactive Power Compensation in a Grid Connected System for Non-Linear Loads Using DSTATCOM For Induction Motor Drive Applications.

Volume 07, Issue 02, Page No: 264 – 272.

Paper Authors

***A.UDAI KIRAN, G.SRINIVAS.**

* Dept of EEE, Gokul Group of Institution



USE THIS BARCODE TO ACCESS YOUR ONLINE PAPER

To Secure Your Paper As Per **UGC Guidelines** We Are Providing A Electronic Bar Code

A NOVEL METHOD OF POWER QUALITY IMPROVEMENT AND REACTIVE POWER COMPENSATION IN A GRID CONNECTED SYSTEM FOR NON-LINEAR LOADS USING DSTATCOM FOR INDUCTION MOTOR DRIVE APPLICATIONS

*A.UDAI KIRAN, **G.SRINIVAS

*PG Scholar, Dept of EEE, Gokul Group of Institution, Piridi, Vizianagaram (Dt), A.P, India.

**Assistant Professor, Dept of EEE, Gokul Group Of Institution, Piridi, Vizianagaram (Dt), A.P, India

ABSTRACT:

In this paper an attempts has been to analyses the role of DSTATCOM (Distribution static compensator) and located at load side in the distribution system, which can to eliminating or overcome the problems of source side like voltage sag and interruption etc... In order to maintain the power system quality the DSTATCOM will absorb and provide reactive power to mitigate voltage sag, swell, interruption and improve power factor in various conditions. The use of STATCOM for solving power quality problems due to voltage sags, flickers, swell etc., has been suggested. The purpose of STATCOM is to provide efficient voltage regulation during short duration of induction motor starting and thus prevent large voltage dips. The D-STATCOM fed with induction motor performance can be analyzed by using MATLAB /SIMULINK software.

Key words:D-STATCOM (Distributed Static Synchronous Compensator); Induction Motor Drive Voltage Sag; Power quality.

I. INTRODUCTION

The power electronic devices, due to their inherent non-linearity draw harmonics and reactive power from the power supply. In three phase systems, they sometimes also cause unbalance and draw excessive neutral currents. The injected harmonics, reactive power burden, unbalance and excessive neutral currents lead to low system efficiency and poor power factor. In addition to this, the power system is subjected to various transients like voltage sags, swell, flickers etc [1]. These transients would affect the voltage at distribution levels. Excessive reactive power of loads would increase the generating capacity of generating stations and increase the transmission losses in lines [2]. Hence supply of reactive power at the load ends becomes essential. Power quality has become an important issue since many loads at various distribution ends like adjustable speed drives, process industries, printers, domestic utilities, computers, microprocessors based equipments etc. have become intolerant to

voltage fluctuations, harmonic content and interruptions [3-5]. Power quality mainly deals with issues like maintaining a fixed voltage at the point of common coupling for various distribution voltage levels irrespective of voltage fluctuations, maintaining near unity power factor power draw from the supply, blocking and current unbalance from passing upwards from various distribution levels, reduction of voltage and current harmonics in the system and suppression of excessive supply neutral current [6].

At present, a wide range of flexible AC controller which is capitalized on newly available power electronic components is emerging for custom power application. FACTS components have been found as the most efficient and economical way to control the power transfer in interconnected AC transmission systems [7]. Among these distributions static compensator is used in the

present work. The fast response of DSTATCOM makes it efficient solution s for improving the power quality in distribution system [8-10].

One useful option is to use DSTATCOM in shunt configuration with the main system so that the full capacity of generating sets is efficiently utilized .DSTATCOM employs a voltage source converter (VSC) and generates capacitive and inductive reactive power internally [11]. Its control is very fast and has the capability to provide adequate reactive compensation to the system. DSTATCOM can be effectively utilized to regulate voltage for one large rating motor or for a series of small induction motors starting simultaneously. Induction motor loads draw large starting currents (5- 6times) of the full rated current and may affect working of sensitive loads [12][13].

II. POWER QUALITY

Power quality is defined as the concept of powering and grounding sensitive. Equipment in a matter that is suitable to the operation of that equipment.

Power quality deals with maintaining a pure sinusoidal waveform of voltage and frequency. Voltage quality concern with deviation of voltage from ideal voltage (sinusoidal) it isa single frequency sine wave at rated magnitude and frequency with no harmonics. Current quality is a complimentary term of voltage quality concern with a deviation from the ideal current. Current should be in phase with the voltage.

Equipment produces more current disturbances than it used to do both low and high power equipment is more and more powered by simple power electronic converters which produce a broad spectrum of distortion there are indications that the harmonics distortion in the power system is rising, but no conclusive results are obtained due to the lack of large scale surveys. Also energy efficient

equipment is a source of power quality disturbance adjustable speed drives and energy saving lamps are both important sources of waveform distortion and are also sensitive to certain type of power quality disturbances.

According to IEEE standard 1100, “power quality is the concept of powering and grounding sensitive equipment in amanner that is suitable to the operation of that equipment”.

a) Power quality problems

There are so many problems related with quality of power. Here the main concern with the poor power quality with nonlinear loads. Non-linear loads can cause voltage and current distortion. That is it changes its shape other than sinusoidal.

b) Harmonic Distortion

Harmonic components are those waveforms which have the frequency as an integer multiple of the fundamental. Any periodic waveform which is non-sinusoidal can be divided into fundamental and non fundamental components. Everynth harmonic will have a frequency n times that of fundamental frequency.

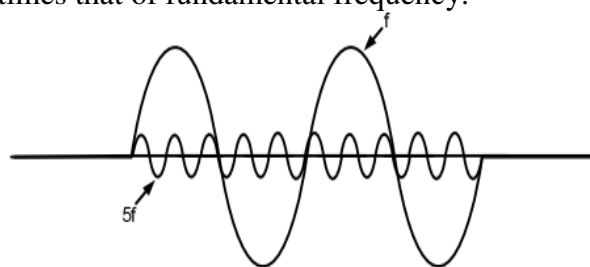


Figure.1: Fundamental component and 5th harmonic component

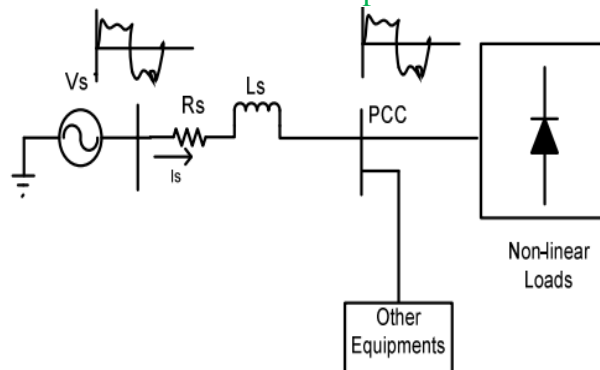


Figure.2: Power System with non-linear loads Voltage at point of common coupling

$$V_{pcc} = V_s - L_{s1} \left(\frac{di_s}{dt} \right) \quad (1)$$

$$i_s = i_{s1} + \Sigma i_{sh} \quad (2)$$

$$V_{pcc} = \left(V_{sh} - L_{s1} \left(\frac{di_{s1}}{dt} \right) \right) - \left(L_{s1} - \left(\frac{di_{sh}}{dt} \right) \right) \quad (3)$$

$$V_{pcc} = V_{pcc1} - V_{pcc(\text{distortion})} \quad (4)$$

Where

$$V_{pcc1} = \left(V_{sh} - L_{s1} \left(\frac{di_{s1}}{dt} \right) \right)$$

$$V_{pcc(\text{distortion})} = \left(L_{s1} - \left(\frac{di_{sh}}{dt} \right) \right)$$

Non-linear loads draw reactive power. So input power factor is also get poor.

Line current and Total Harmonic Distortion (THD)

$$v_s = \sqrt{2} V_s \sin \omega t \quad (5)$$

$$i_s = \sqrt{2} i_{s1} \sin(\omega_1 t - \phi_1) + \Sigma \sqrt{2} i_{sh} \sin(\omega_n t - \phi_n) \quad (6)$$

$$i_s = i_{s1}(t) + \Sigma i_{sh}(t) \quad (7)$$

$$I_s = (I_{s1}^2 + \Sigma i_{sh}^2) \quad (8)$$

If we remove fundamental, then only ripple will be left

$$i_{\text{distortion}} = (i_s^2 - i_{s1}^2)^{\frac{1}{2}} = (\Sigma i_{sh}^2)^{\frac{1}{2}} \quad (9)$$

$$\%THD = I_{\text{distortion}} * \frac{100}{I_{sh}} \quad (10)$$

$$\%THD = \sqrt{I_s^2 - I_{s1}^2} * \frac{100}{I_{s1}} \quad (11)$$

III. PRINCIPLE OF D-STATCOM

It is shunt connected at the distribution side of the power systems. A D-STATCOM is a controlled reactive source, which includes a Voltage Source Converter (VSC) and a DC link capacitor connected in shunt, capable of generating and/or absorbing reactive power. The operating principles of a D-STATCOM are based on the exact equivalence of the conventional rotating synchronous compensator.

The AC terminals of the VSC are connected to the Point of Common Coupling (PCC)

through an inductance, which could be a filter inductance or the leakage inductance of the coupling transformer, as shown in Figure 3. The DC side of the converter is connected to capacitor, which carries the input ripple current of the converter and reactive energy storage element. This capacitor could be charged by voltage source or inverter. When AC output voltage of inverter is equal to terminal voltage, then there is no reactive power exchange. If there is a difference between these voltages, then only reactive power exchange occurs. The control strategies studied in this paper are applied with a view to studying the performance of a D-STATCOM for reactive power compensation and harmonic mitigation.

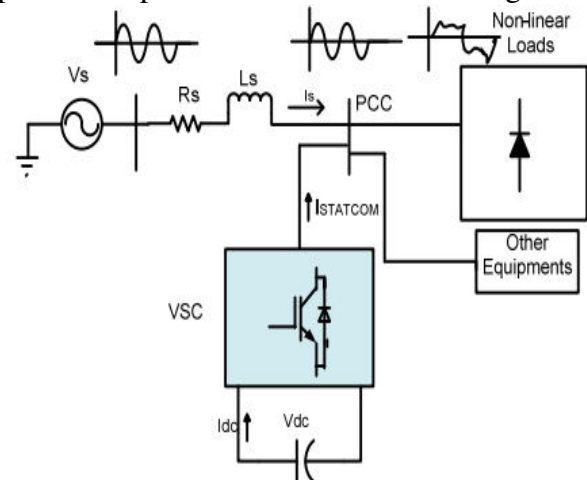


Figure.3: Power system with D-STATCOM

Configuration and operation of D-STATCOM. D-STATCOM has 3-phase voltage source converter, capacitor at DC side of inverter is connected with the electrical system at the PCC. The instantaneous controllable 3-phase output voltage is generated from DC voltage at fundamental frequency. The pulse is generated by the hysteresis current controllers which take the difference of reference current and actual source current and minimize the error and control the current and generate 3-phase output voltage and injects capacitive or inductive current according to the nature of load.

IV. MATHEMATICAL EXPRESSION FOR SYSTEM

Total instantaneous power delivery drawn by non-linear load

$$P_L(t) = P_{s1}(t) + P_r(t) + P_{sh}(t) \quad (12)$$

Real power supplied by source-

$$P_s = P_{s1} \quad (13)$$

Reactive power supplied by source-

$$Q_s = 0 \quad (14)$$

Real power drawn by the load-

$$P_L = P_{s1} + P_{sh} \quad (15)$$

Reactive power drawn by the load-

$$Q_L = Q_{s1} + Q_{sh} \quad (16)$$

Real power supplied by the D-STATCOM-

$$P_{STATCOM} = P_{sh} - P_{loss} \quad (17)$$

Reactive power supplied by D-STATCOM-

$$Q_{STATCOM} = Q_{s1} + Q_{sh} \quad (18)$$

Where P_{loss} component of STATCOM From the single line diagram Figure 2

$$i_s(t) = i_L(t) + i_{STATCOM}(t) \quad (19)$$

When the phase of $V_{STATCOM}$ is in quadrature with $I_{STATCOM}$ without injecting real power the D-STATCOM can achieve the voltage sag mitigation. The shunt injecting current $I_{STATCOM}$ and 5 in Figure 3 can be expressed as equation (20 and 21)

$$I_{STATCOM} = I_L - I_s = I_L - \left(\frac{V_{th} - V_L}{Z_{th}} \right) \quad (20)$$

$$V_L = V_{th} + (I_{STATCOM} - I_L)Z_{th} \quad (21)$$

$$I_s = (V_{th} - V_L) / Z_{th} \quad (22)$$

Where

V. CONTROL STRATEGY

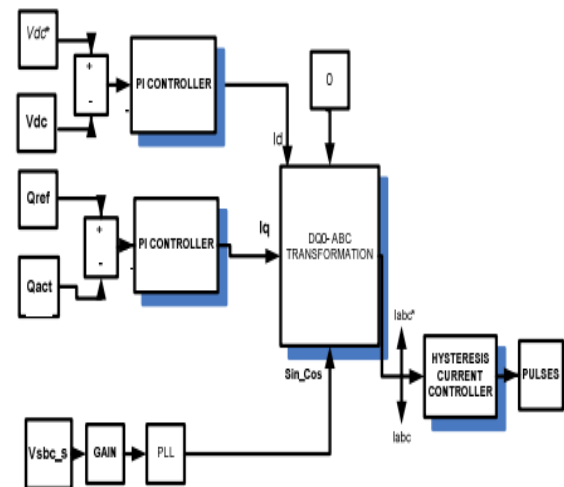


Figure.4: Control Strategy to generate pulses

VI. MATHEMATICAL MODELING

The direct and quadrature axis component of current are:

$$I_d = \left(K_p + \frac{K_i}{s} \right) * (V_{DC}^* - V_{DC}) \quad (23)$$

$$I_q = \left(K_p + \frac{K_i}{s} \right) * (Q_{grid}^* - Q_{grid}) \quad (24)$$

a) d-q-0 to a-b-c transformation

$$x_{abc} = K^{-1} x_{dq0}$$

$$= \frac{\sqrt{2}}{\sqrt{3}} * \begin{bmatrix} \cos(\theta) & -\sin(\theta) & \frac{1}{\sqrt{2}} \\ \cos\left(\theta - \frac{2\pi}{3}\right) & -\sin\left(\theta - \frac{2\pi}{3}\right) & \frac{1}{\sqrt{2}} \\ \cos\left(\theta + \frac{2\pi}{3}\right) & -\sin\left(\theta + \frac{2\pi}{3}\right) & \frac{1}{\sqrt{2}} \end{bmatrix} \begin{bmatrix} x_d \\ x_q \\ x_0 \end{bmatrix} \quad (25)$$

b) Hysteresis Current Controller

In conventional hysteresis band (HB) current control, the switching signal is sent to the IGBT at the same arm (T1 and T4). The output of the HBC is directly connected to the transistor T1 and reverse is connected to the T4, therefore the transistor in the same leg is not simultaneously ON or OFF. IGBT are self commutated. Hysteresis Current Controller compares the actual and reference current and generates pulses for the inverter.

If

$$i \leq (i^* - HB), \text{ then T1 in ON} \quad (26)$$

If

$$i \geq (i^* + HB), \text{ then T4 is ON} \quad (27)$$

VII. INDUCTION MOTOR DRIVE

An electrical motor is such an electromechanical device which converts electrical energy into a mechanical energy. In case of three phase AC operation, most widely used motor is three phase induction motor as this type of motor does not require any starting device or we can say they are selfstarting induction motor. For better understanding the principle of three phase induction motor, the basic constructional feature of this motor must be known to us. This Motor consists of two major parts: Stator: Stator of three phase induction motor is made up of numbers of slots to construct a 3 phase winding circuit which is connected to 3 phase AC source. The three phase winding are arranged in such a manner in the slots that they produce a rotating magnetic field after 3Ph. AC supply is given to them. Rotor: Rotor of three phase induction motor consists of cylindrical laminated core with parallel slots that can carry conductors. Conductors are heavy copper or aluminum bars which fits in each slots & they are short circuited by the end rings. The slots are not exactly made parallel to the axis of the shaft but are slotted a little skewed because this arrangement reduces magnetic humming noise & can avoid stalling of motor.

The induction motor has advantage as simple construction, reliability, ruggedness and low cost has found very wide industrial appellations. Furthermore, in contrast to the commutation Dc motor, it can be used in aggressive or volatile environments since there are no problems with spark and corrosion. These advantages, however, are occupied by control problems when using induction motor in speed regulated industrial drives. These advantages, however, are occupied by control

problems when using induction motor in speed regulated industrial drives. Speed control (v/f control) of induction motor requires two stage conversion (ac-dc and dc-ac), but most of the classical inverters gives poor performance.

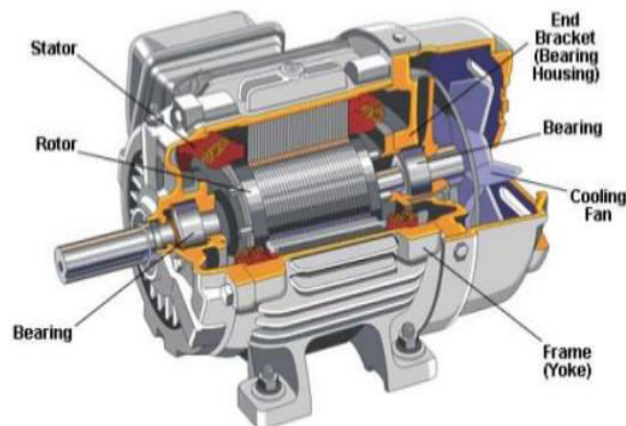


Fig.5. 3- Phase Induction motor drive
VIII. MATLAB/SIMULATION RESULTS

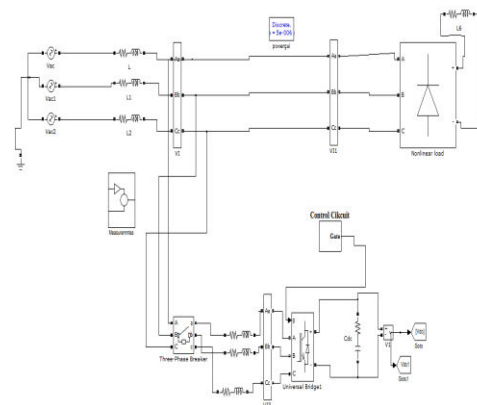


Fig.6. Matlab/Simulink circuit for Power system with D-STATCOM

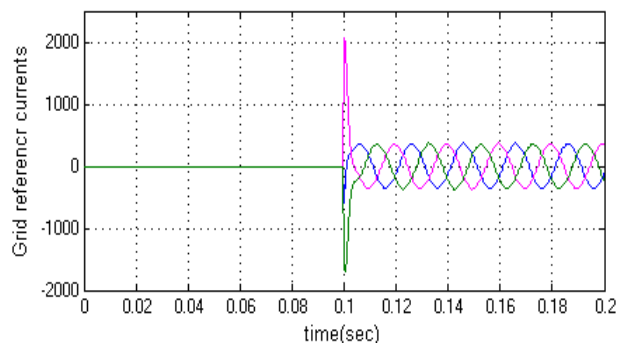


Fig.7. Simulation waveform for Grid reference current

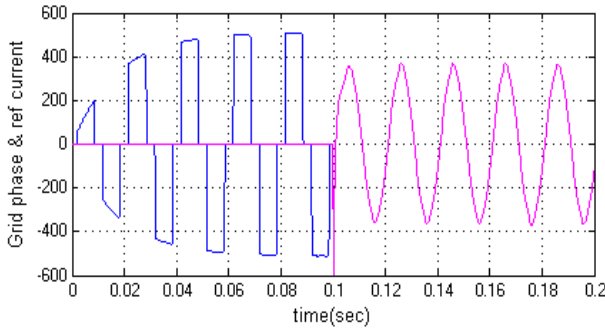


Fig. 8. Simulation waveform for Grid phase and reference currents

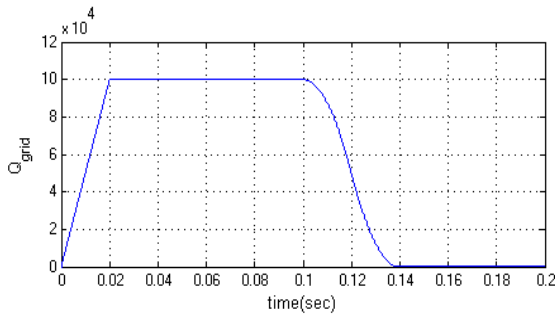


Fig. 9. Reactive power generated by Grid

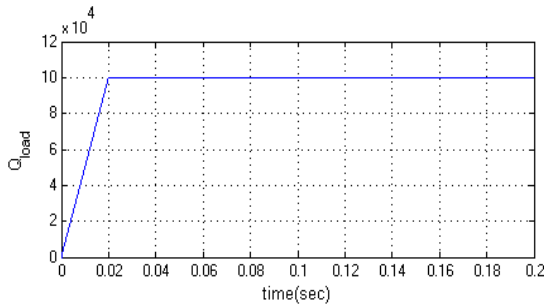


Fig. 10. Reactive power demanded by load

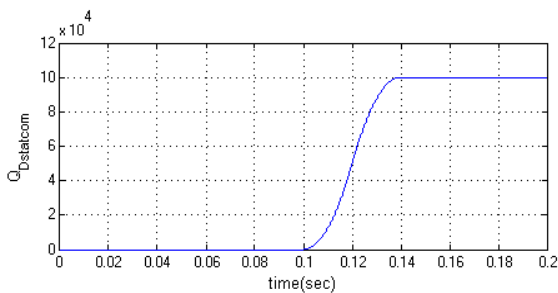


Fig. 11. Reactive power supplied by D-STATCOM

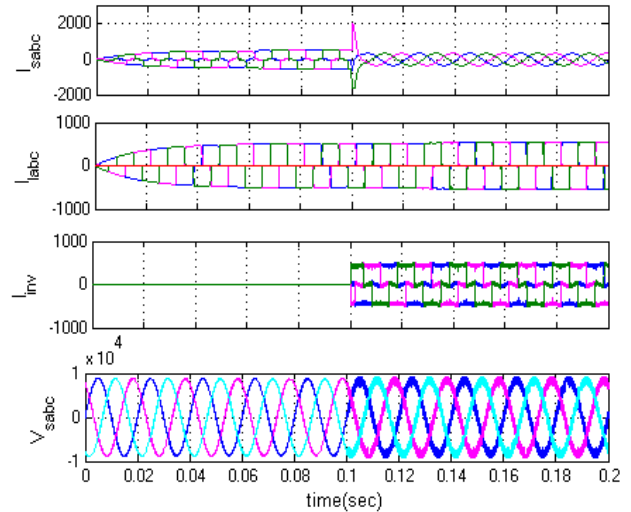


Fig. 12. Source current, Load current, D-STATCOM injected harmonic current and Source voltage

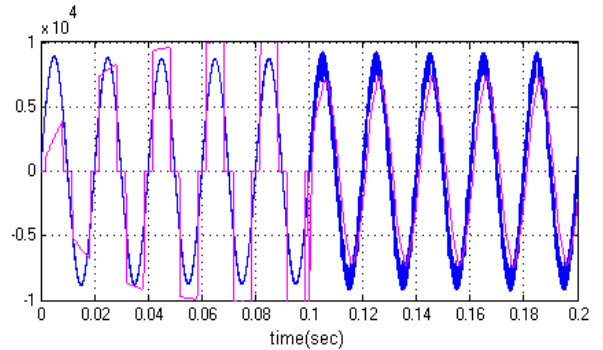


Fig. 13. Power factor angle between source voltage and current

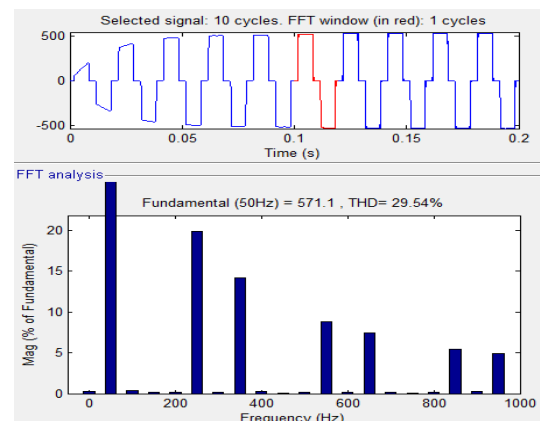


Fig. 14. Load current THD

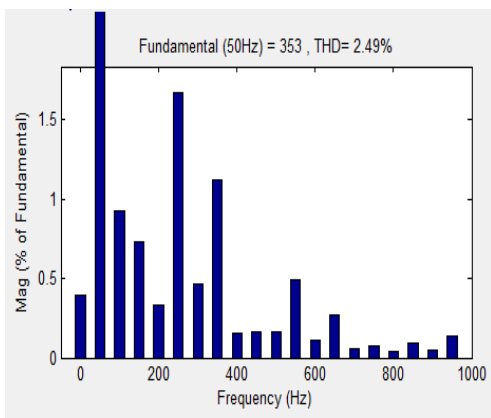


Fig.15 Source current THD

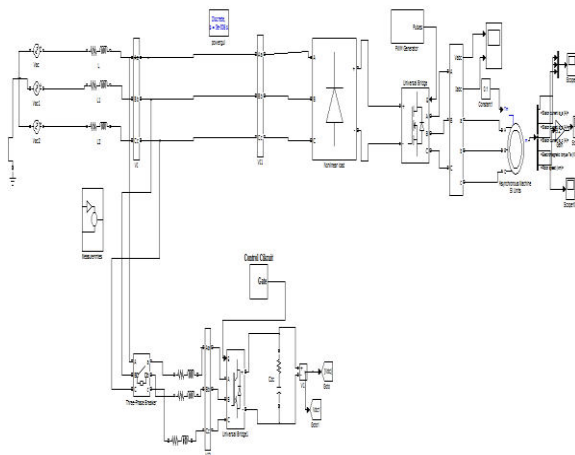
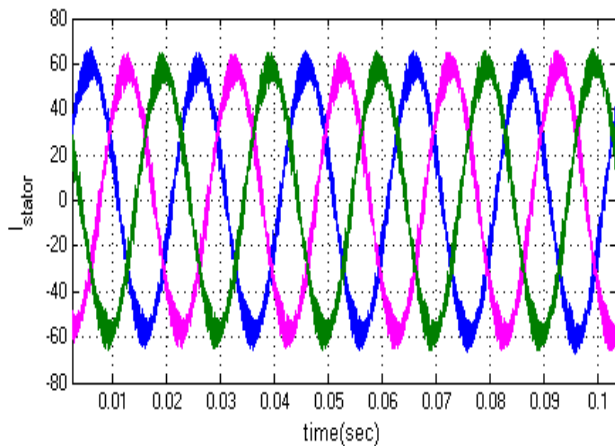
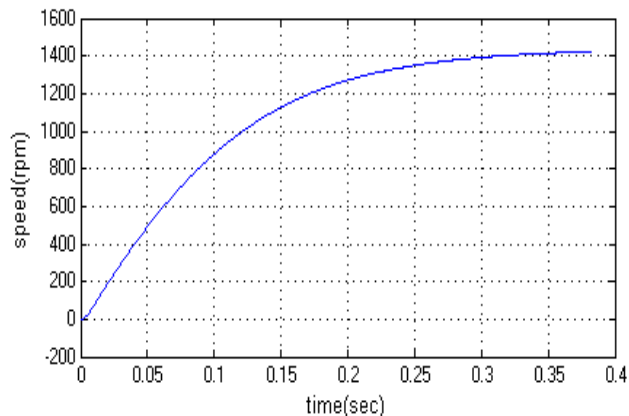


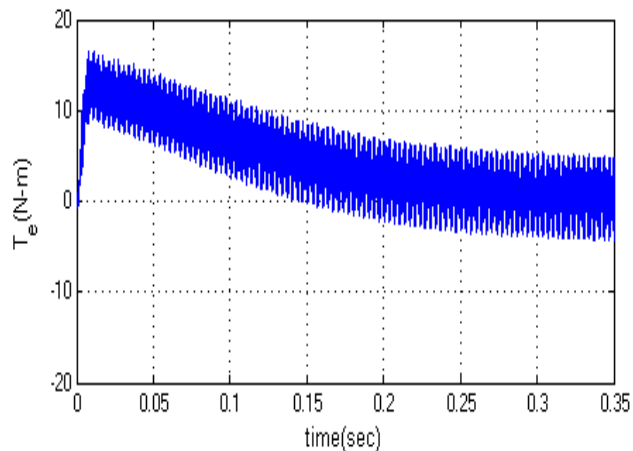
Fig.16. Matlab/Simulink circuit for Power system with D-STATCOM with Induction Motor Drive



(a) Stator Current



(b) Speed



(c) Torque

Fig.17. Simulation waveforms for Induction motor Stator current, Speed and Torque

IX. CONCLUSION

The objective of work is to study the performance of D-statcom for mitigating voltage sag, interruption, and to improve the power quality in distribution network. The simulation results show that the performance of DSTATCOM system has been found to be satisfactory for improving the power quality at the consumer premises. DSTATCOM control algorithm is flexible and it has been observed to be capable of correcting power factor to unity, eliminate harmonics in supply currents and

provide load balancing. It is also able to regulate voltage at PCC. The control algorithm of D-STATCOM has an inherent property to provide a self supporting DC bus of D-STATCOM. It has been found that the D-STATCOM system reduces THD in the supply currents for non-linear loads. The proposed D-STATCOM is further connected with induction motor drive is an application. In this work the motor stator current, speed and torque proved its good performance.

REFERENCES

- [1] Veeraiyah Kumbha, N. Sumathi, "Power quality improvement of Distribution lines using D-STATCOM under various loading conditions," International Journal of Modern Engineering Research (IJMER), Vol. 2, Issue. 5, Sep.-Oct. 2012.
- [2] R.Sasi Kumar, P.Rajaguru, "POWER QUALITY IMPROVEMENT IN DISTRIBUTION SYSTEM USING D-STATCOM," International Journal of Advanced Research in Electrical, Electronics and Instrumentation Engineering, Vol. 2, Issue 12, December 2013.
- [3] Mithilesh Kumar Kanaujia, Dr. S.K. Srivastava, "Power Quality Enhancement With D-STATCOM Under Different Fault Conditions," Vol. 3, Issue 2, March -April 2013, pp.828-833.
- [4] Mohit Bajaj, Vinay Kumar Dwivedi, Ankit Kumar, Anurag Bansa, "Design and Simulation of D-STATCOM for Power Quality Enhancement in Distribution Networks under Various Fault Condition," International Journal of Emerging Technology and Advanced Engineering, Volume 3, Issue 4, April 2013).
- [5] Dinesh Kumar and Rajesh, "Modeling, Analysis and Performance of a D-STATCOM for Unbalanced and Non-Linear Load", IEEE/PES Conference on Transmission and Distribution conference and Exhibition Asia and Pacific, Publication, pp. 1 – 6, 2005.
- [6] Vandana S Pal, Joy. "Reactive power compensation and in a lossless transmission line by the application of Statcom", Proceedings of Second IRF International Conference, Cochin, India, and ISBN: 978-93-84209-43-8, (2014).
- [7] Walimir Freitas, Andre Morelato, Wilsun Xuand Fujio Sato, "Impacts of AC Generators and D-D-STATCOM Devices on the Dynamic Performance of Distribution Systems", IEEE Transactions on Power Delivery, pp. 1493 – 1501, 2005.
- [8] M. G. Molina, P. E. Mercado, "Control Design and Simulation of D-D-STATCOM with Energy Storage for Power Quality Improvements", IEEE/PES Conference on Transmission and Distribution Conference and Exposition Latin America, Venezuela, pp.1 - 7, 2006.
- [9] S. Srikanthan and M. K. Mishra, "DC capacitor voltage equalization in neutral clamped inverters for D-STATCOM application," IEEE Trans. Ind. Electron., vol. 57, no. 8, pp. 2768–2775, Aug. 2010.
- [10] S. Srikanthan and M. K. Mishra, "An improved hysteresis current control of three level inverter for D-STATCOM application," in Proc. Nat. Power Electron. Conf., IISc Bangalore, India, Dec. 2007, pp. 1–6.
- [11] L. Zhang, C. Shen, M. L. Crow, L. Dong, S. Pekarek, and S. Atcitty, "Performance indices for the dynamic performance of FACTS and FACTS with energy storage," Electric Power Components and Systems, vol. 33, no. 3, pp. 299–314, 2005.



International Journal for Innovative Engineering and Management Research

A Peer Reviewed Open Access International Journal

www.ijemr.org

[12] P. M. Meshram, B.Y.Bagde, R.N.Nagpure, "A Novel FACTS Device for the Improvement of Power Quality of the Supply", 2nd International Conference on Electrical Engineering and Electronics, Computer, Telecommunications and Information Technology (ECTI-CON 2005), vol.1, pp. 775-778, 2005.

[13] S. Srikanthan and M. K. Mishra, "DC capacitor voltage equalization in neutral clamped inverters for DSTATCOM application," IEEE Trans. Ind. Electron., vol. 57, no. 8, pp. 2768–2775, Aug. 2010.