



International Journal for Innovative Engineering and Management Research

A Peer Reviewed Open Access International Journal

www.ijiemr.org

COPY RIGHT

2017 IJIEMR. Personal use of this material is permitted. Permission from IJIEMR must be obtained for all other uses, in any current or future media, including reprinting/republishing this material for advertising or promotional purposes, creating new collective works, for resale or redistribution to servers or lists, or reuse of any copyrighted component of this work in other works. No Reprint should be done to this paper, all copy right is authenticated to Paper Authors

IJIEMR Transactions, online available on 31st Oct 2017. Link

[:http://www.ijiemr.org/downloads.php?vol=Volume-6&issue=ISSUE-9](http://www.ijiemr.org/downloads.php?vol=Volume-6&issue=ISSUE-9)

Title: A CAPACITOR VOLTAGE-BALANCING METHOD FOR NESTED NEUTRAL POINT CLAMPED (NNPC) INVERTER

Volume 06, Issue 09, Pages: 351 – 354.

Paper Authors

SAPPIDI ARUNA KUMARI, C. THARAKESWARA REDDY, M.A. NABI

SVR Engineering College



USE THIS BARCODE TO ACCESS YOUR ONLINE PAPER

To Secure Your Paper As Per **UGC Guidelines** We Are Providing A Electronic Bar Code

A CAPACITOR VOLTAGE-BALANCING METHOD FOR NESTED NEUTRAL POINT CLAMPED (NNPC) INVERTER

ABSTRACT

A capacitor voltage-balancing technique for a settled nonpartisan point cinched (NNPC) inverter is proposed in this paper. To control and adjust flying capacitor voltages the proposed capacitor voltage adjusting technique exploits excess in stage exchanging states. The proposed strategy needs not very many calculations and furthermore simple to actualize. The NNPC inverter is a recently created four-level voltage source inverter for medium-voltage applications. The NNPC topology has two flying capacitors in every leg. With a specific end goal to guarantee that the inverter can work ordinarily and all exchanging gadgets share indistinguishable voltage stretch, the voltage over every capacitor ought to be controlled and kept up at 33% of dc transport voltage. The proposed strategy is anything but difficult to coordinate with various heartbeat width adjustment plans. By utilizing the recreation comes about we can break down the viability and feasibility of the proposed method.

Index Terms—Capacitor voltage-balancing method, multilevel inverter, nested neutral point clamped (NNPC) inverter, voltage source inverter

INTRODUCTION

Nowadays, Multilevel inverters are extremely prominent in medium voltage applications and engine drives because of diminishment of sounds, low voltage weight on switches, low exchanging recurrence, and less exchanging misfortunes [1]. The multilevel inverters arranged into nonpartisan point clasped (NPC) inverter, flying capacitor (FC) inverter, fell Hbridge inverter, and measured multilevel converter [2]– [3]. A few control systems and regulation procedures including capacitor voltage-adjusting techniques have been produced in the writing for multilevel inverters [4]. In this paper another multilevel topology is proposed.i.e, nested neutral point clamped (NNPC) inverter shown in Fig. 1.

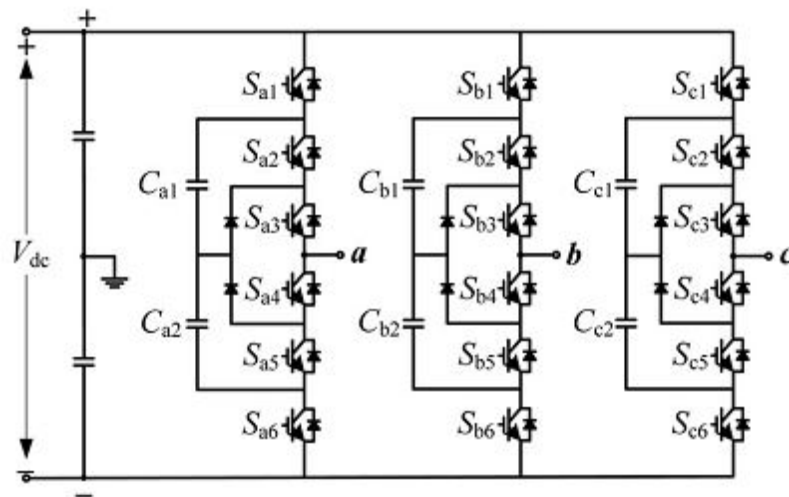


Fig 1. Three phase nested neutral-point clamped (NNPC) inverter.

This topology is a blend of a FC topology with a NPC topology, which gives four levels in yield voltage. In examination with the fourlevel NPC inverter, the NNPC inverter has less number of diodes, and in contrast with four-level FC inverter, it has less capacitors [6]. All switches in the topology have a similar voltage stretch equivalent to 33% of dc-connect voltage. The NNPC inverter can work in an extensive variety of 2.4– 7.2 kV without the requirement for associating power gadgets in arrangement. As can be seen from Fig. 1, the NNPC topology has two FCs in every leg. The voltage over every capacitor ought to be controlled and adjusted at 33% of dc-interface voltage ($V_{dc}/3$) to guarantee that the inverter can work ordinarily [6]. To alleviate the previously mentioned downsides, another capacitor voltage-adjusting technique for the NNPC inverter is proposed in this paper. In the proposed technique, straightforward rationale tables are created to control the voltages of FCs. The proposed technique has the accompanying highlights:

1) The strategy is appropriate for and can be effectively incorporated with various heartbeat width adjustment (PWM) plans, for example, SPWM and SVM, and so forth;

2) The technique utilizes basic rationale tables, needs not very many calculations, and is anything but difficult to actualize.

The distinction in the topology causes diverse conduct in capacitor voltages and along these lines require diverse voltage-adjusting strategies. With a specific end goal to control yield voltage and get FC voltage adjust, a space vector balance (SVM) method is introduced in [6] for NNPC inverter. In this strategy, a cost work is characterized in view of the vitality put away in capacitors. The cost work should be ascertained over and over again for each excess exchanging state in each examining period to locate the best changing state to adjust FC voltages.

OPERATION OF THE NNPC INVERTER AND BEHAVIOR ANALYSIS OF THE CAPACITOR VOLTAGES

A. Operation of the NNPC Inverter

The three-phase NNPC inverter is appeared in Fig. 1. Each period of the inverter comprises of six switches, two clipping diodes, and two FCs. The voltages of the FCs ought to be kept at 33% of dcphase voltage and guarantee that all the power switches share a similar voltage push. Table I demonstrates the stage voltage v_k ($k=a, b, c$), yield level L_k , and also the relating stage exchanging state S_k . For each stage, the four particular yield voltages are $-V_{dc}/2$, $-V_{dc}/6$, $V_{dc}/6$, and $V_{dc}/2$, comparing to the four yield levels 0, 1, 2, and 3, separately. The relationship of v_k and L_k can be expressed as

B. Behavior Analysis of the Capacitor Voltages in the NNPC Inverter

Different redundant switching states have different impacts on FC voltages. The analysis of this impact is illustrated in Fig. 2, in which the six overall switching states are analyzed. In Fig. 2, C_{k1} and C_{k2} are the two series FCs in the phase k ($k=a, b, c$), whose voltages are denoted by V_{Ck1} and V_{Ck2} . The behavior of the capacitor voltages depends on the switching state S_k and the phase current i_k . (a) Switching state 0.

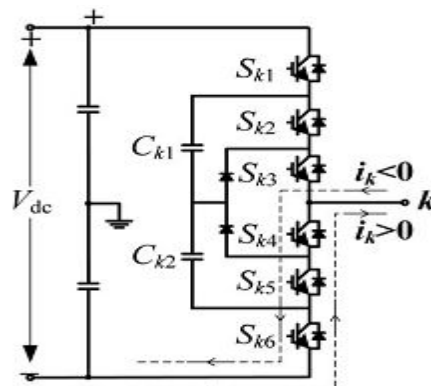


Fig. 2. Impacts of different phase switching states

and phase current on capacitor voltages in NNPC inverter As shown in Fig. 2(a) and (f), the switching states 0 and 3 (corresponding to levels 0 and 3, respectively) have no impact on the capacitor voltages as can be seen from Table I, levels 0 and 3 have no redundant switching state, while levels 1 and 2 both have two redundant switching states. The redundant switching states for level 1 are 1A [001101]

SIMULATION RESULTS

To verify the proposed capacitor voltage balancing method, simulation studies have been done by using MATLAB/ Simulink(3), in which V_{ref} is the given peak phase voltage reference, and V_{dc} is dc bus voltage $= \sqrt{3} /$ (3) Two PWM schemes, SPWM and SVM, integrated with the proposed capacitor voltage balancing method, have been studied in both steady state and transient state the simulation results of NNPC inverter when SVM and the proposed voltage balancing method are applied, with $m_a=0.8$ when $t < 0.1s$, and $m_a=0.5$ when $t > 0.1s$. respectively.

CONCLUSION

In this paper, proposes a capacitor voltage adjusting technique for a four-level NNPC inverter. At diverse PWM plans the proposed technique is anything but difficult to coordinated. The proposed technique exploits repetition in stage changing states to control and adjust the FC voltages. For the control of capacitor adjusting basic and viable rationale tables are produced. The technique is anything but difficult to actualize and needs not very many calculations. The restriction of the NNPC inverter as far as the voltage adjusting and capacitor estimate is additionally explored. The viability and possibility of the proposed strategy is resolved by using the simulation results and also analyze the proposed method.

REFERENCES

- [1] B. Wu, *High-Power Converters and AC Drives*. New York, NY, USA: Wiley/IEEE Press, 2006, ch. 1.
- [2] N. Mittal, B. Singh, S. P. Singh, R. Dixit, and D. Kumar, "Multilevel inverters: A literature survey on topologies and control strategies," in *Proc. 2nd Int. Conf. Power, Control Embedded Syst.*, 2012, pp. 1– 11.
- [3] J. Rodriguez, J.-S. Lai, and F. Z. Peng, "Multilevel inverters: A survey of topologies, controls, and applications," *IEEE Trans. Ind. Electron.*, vol. 49, no. 4, pp. 724–738, Aug. 2002.
- [4] R. Stala, "A natural dc-link voltage balancing of diode-clamped inverters in parallel systems," *IEEE Trans. Ind. Electron.*, vol. 60, no. 11, pp. 5008– 5018, Nov. 2013.
- [5] J. Mei, K. Shen, B. Xiao, L. M. Tolbert, and J. Zheng, "A new selective loop bias mapping phase disposition PWM with dynamic voltage balance capability for modular multilevel converter," *IEEE Trans. Ind. Electron.*, vol. 61, no. 2, pp. 798–807, Feb. 2014.
- [6] M. Narimani, B. Wu, Z. Cheng, and N. Zargari, "A new nested neutral point clamped (NNPC) converter for medium-voltage (MV) power conversion," *IEEE Trans. Power Electron.*, vol. 29, no. 12, pp. 5259–5270, Dec. 2014.
- [7] A. Choudhury, P. Pillay, and S. S. Williamson, "DC-link voltage balancing for a three-level electric vehicle traction inverter using an innovative switching sequence control scheme," *IEEE Trans. Emerg. Sel. Topics Power Electron.*, vol. 2, no. 2, pp. 296–307, Jun. 2014.
- [8] Z. Shu, N. Ding, J. Chen, H. Zhu, and X. He, "Multilevel SVPWM With dc-link capacitor voltage balancing control for diode-clamped multilevel converter based STATCOM," *IEEE Trans. Ind.*